

MEGAPACK

DESCRIPTION

MEGAPACK fold up door has been designed for outdoor industrial environments, where there are large openings for hangars and shipyards.

MEGAPACK industrial door guarantees long durability, energy saving and reliability with minimum maintenance.

Each industrial door is individually designed to adapt to the building on which it is to be installed and guarantees excellent wind resistance thanks to the mantle formed by two polyester fabrics connected by horizontal aluminium trusses.



EN13241/CE ADVANTAGES APPLICATION

Fold up door with conical columns and double curtain ideal for:

- ✓ Industry (outside)
- ✓ Shipyard
- ✓ Hangar
- ✓ Waste treatment

- ✓ Class 4 - 144 km/h
- ✓ Energy savings
- ✓ Double PVC curtains
- ✓ Minimal maintenance

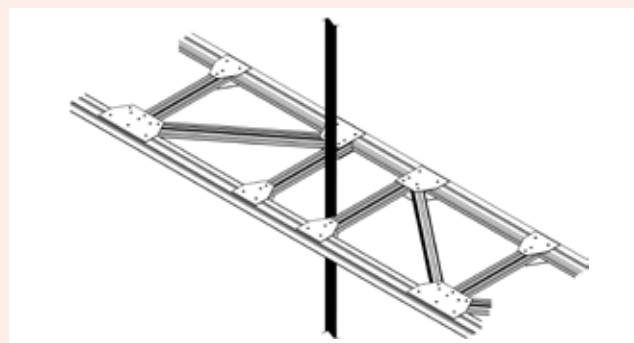
Standard	Rif.	Test acc.	Results
Wind load	EN 12424	EN 12444	Class 4
Safe openings	EN 12453	EN 12445	✓
Mechanical resistance	EN 12604	EN 12605	✓
Unintended movements	EN 12604	EN 12605	✓
Performance (cycles)	EN 12604	EN 12605	1.000.000

VALUES CAN CHANGE DEPENDING ON DOOR DIMENSIONS

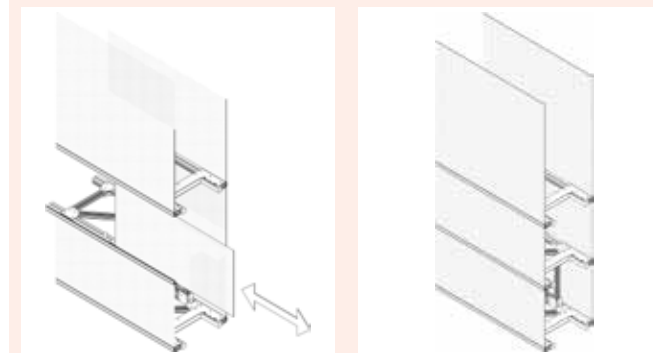
FEATURES

Maximum dimensions	W 20.000 mm x H 15.000 mm
Speed	Max opening speed up to 0,3 m/s
	Closing speed 0,3 m/s
Wind resistance	Up to Class 4 / higher classes on a project basis
Structure	Not self-supporting
Frame / motor cover hood	Standard: Galvanized Steel
Curtain	Standard: PVC curtain fabric 900 gr/m ²
	Optional: Insulated curtain PVC 1350 gr/m ²
Control panel	Standard: Powder coated Steel box IP54 (400 x 500 x 2000 mm)
	Optional: the cabinet may be equipped with electro-mechanical system with possibility to be controlled by a PLC system
	Contactors (50 Hz)
	Power supply 3-ph, 400V
Safeties	Power supply 24VAC for auxiliary accessories
	Standard: WiFi safety edge IP65
Emergency opening	Standard: Mechanical
Advising operative temperature	-30° C +70° C
Cycles (EN 12604)	1.000.000 (tested)

LIFTING BELTS-STRAPS



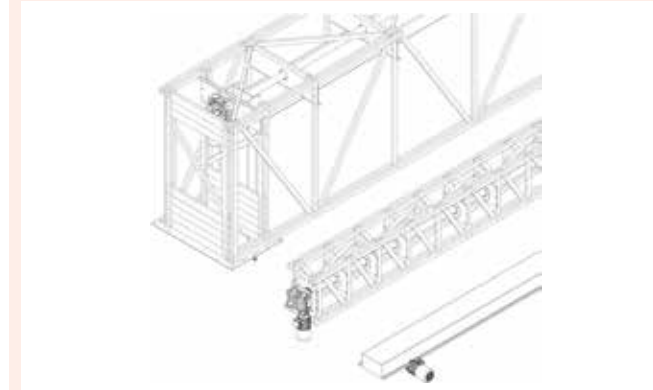
SLIDE SLIDING COLUMNS DOOR LEAF



MEGAPACK: 40 m x 18 m



TOP HEADING



AVAILABLE COLOURS

Simil RAL 9010

Simil RAL 1015

Simil RAL 1003

Simil RAL 2008

Simil RAL 3002

Simil RAL 6026

Simil RAL 9006

Simil RAL 7042

Simil RAL 7037

Simil RAL 7035

Simil RAL 5012

Simil RAL 5002

klh

www.klh.com.mx

📍 Fray Pedro de Gante 85, Cimatarío, Santiago de Querétaro, Querétaro, México CP 76030

☎ (442) 727-0441

✉ contacto@klh.com.mx